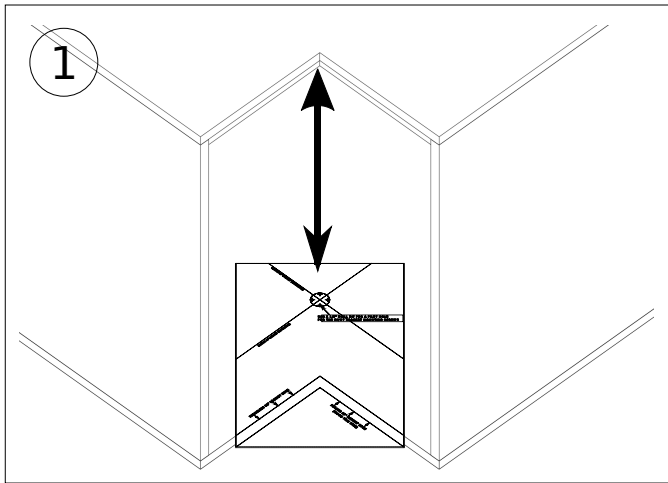




# Not-So-Lazy Susan™

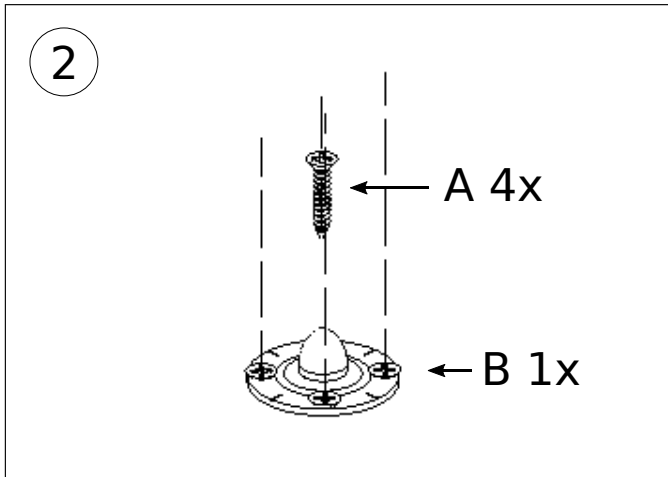
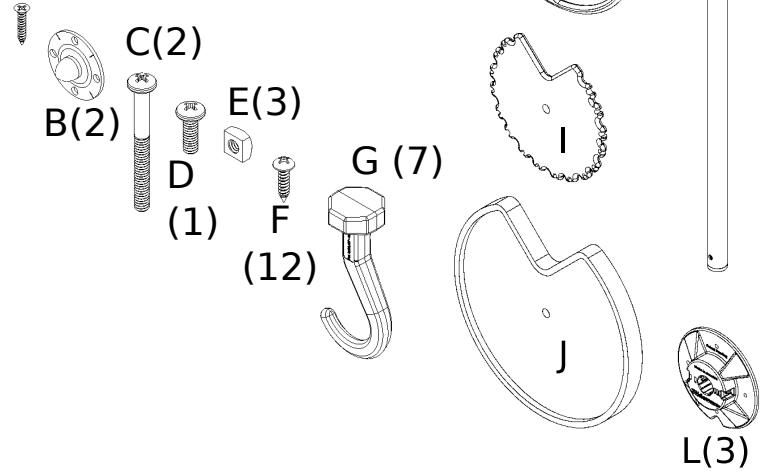
## Installation Instructions

K

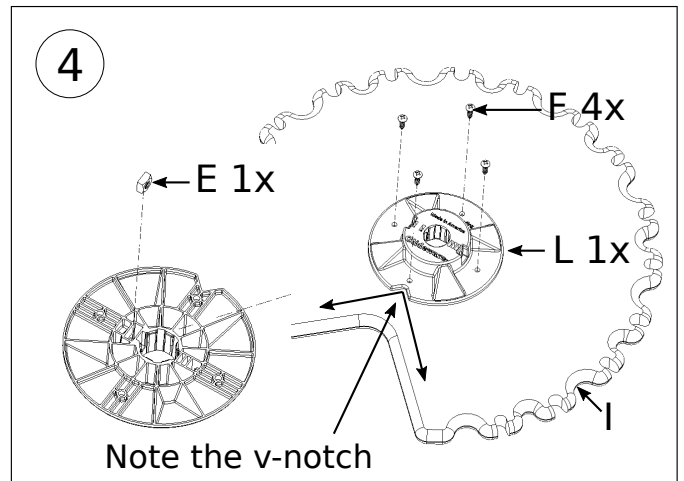


Use the provided template to center the (B) pivot bracket on the top and bottom of the cabinet

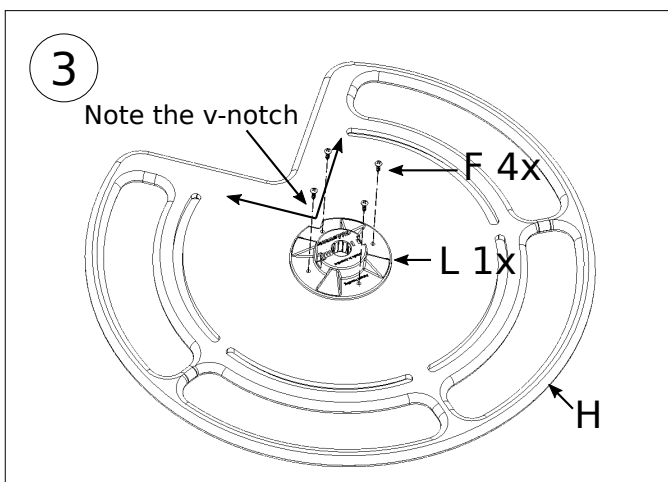
A(Qty 8)



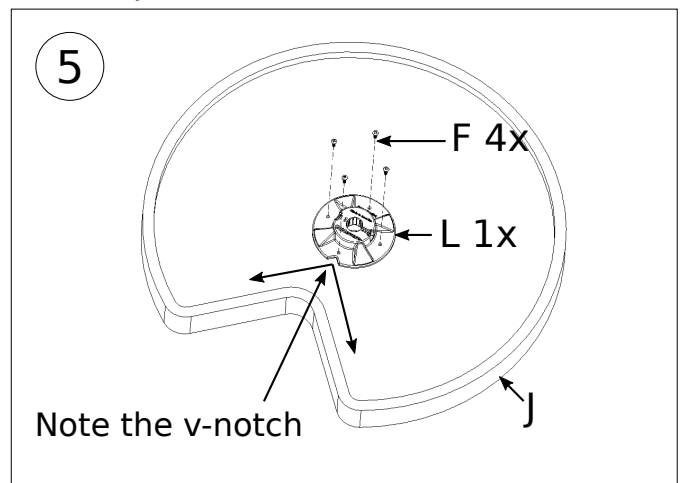
Mount the pivot bracket  
Top & bottom center of the cabinet



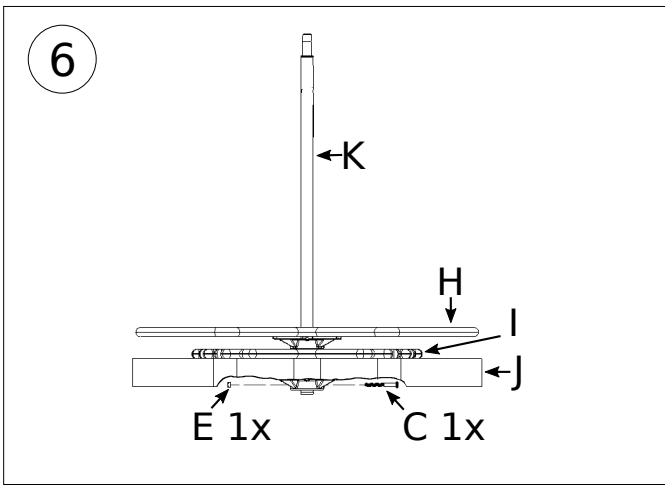
Note the v-notch  
Assemble the Arrestor assembly  
Drop in (E) nut, then attach the  
(L) pole bracket to the (I) arrestor



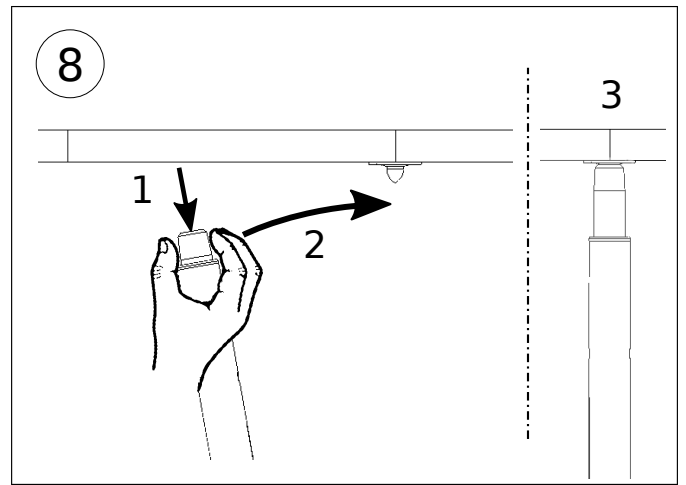
Attach the (L) pole bracket to the underside of (H) top plate. Mount bracket to the pre-drilled holes.



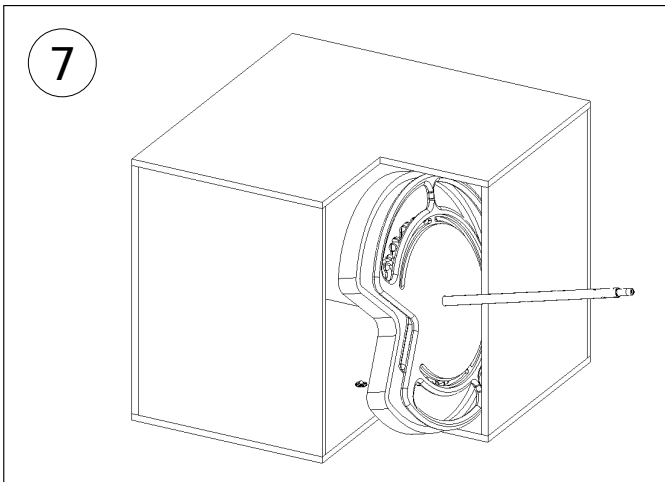
Assemble the Bottom Shelf  
Attach the (L) pole bracket to the under side of the (J) bottom shelf



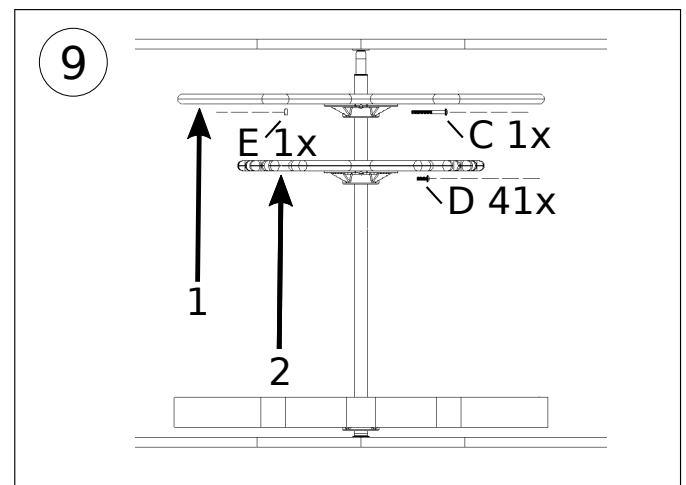
Add (J) Shelf then (C) bolt & (E) nut to secure the shelf to the (K) pole. **Tighten firmly**  
Slide the (I) assembly and the (H) assembly onto the pole. Do not fasten.



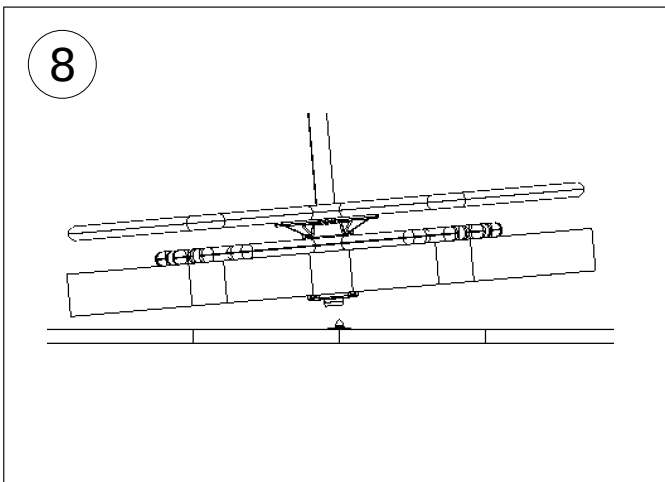
1 Pull down on the top pin,  
2 locate the pole below the pin  
3 Release the pin to lock into position



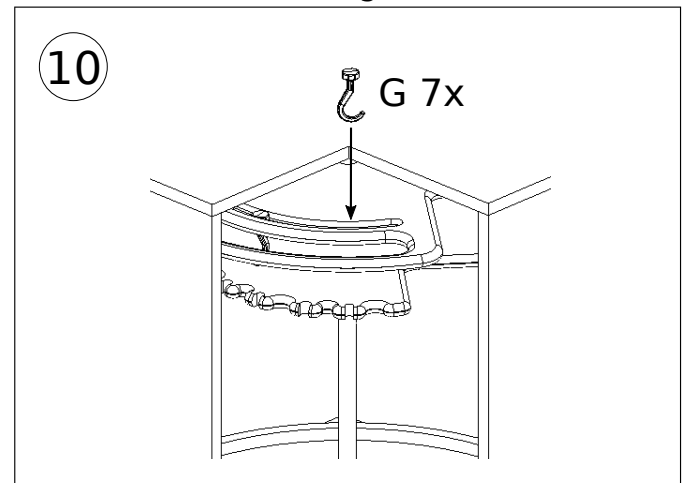
Insert the pole assembly into the cabinet



1 Raise the Top Plate assembly up, install the (E) Nut and (C) Bolt.  
2 Raise the Arrester assembly up (2), install the (D) Screw and adjust height, then tighten



Place the pole assembly onto the bottom pin



Install the (G) Hooks into the slots above, Adjust to your preference and press to fit

**TIP!!**

1. Do the final adjustment of the (I) arrester after the pans are in place.
2. Recommend installing in a 36" x 36" cabinet